

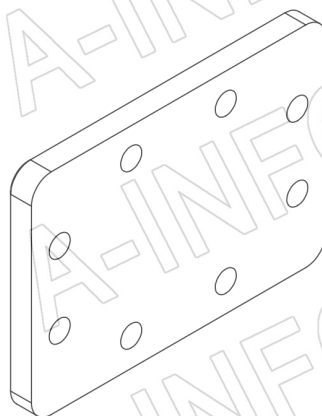
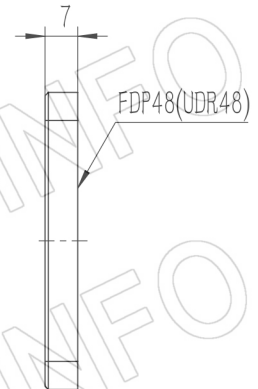
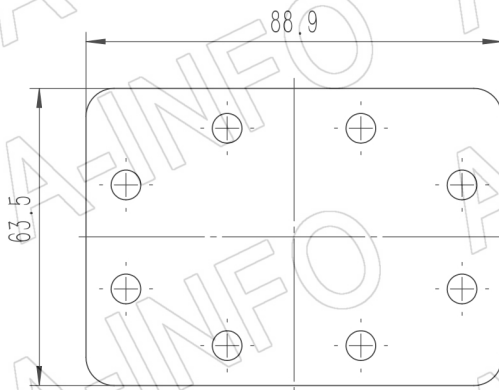
For reference only. See data sheet for the detailed specifications.

## Technical Specification

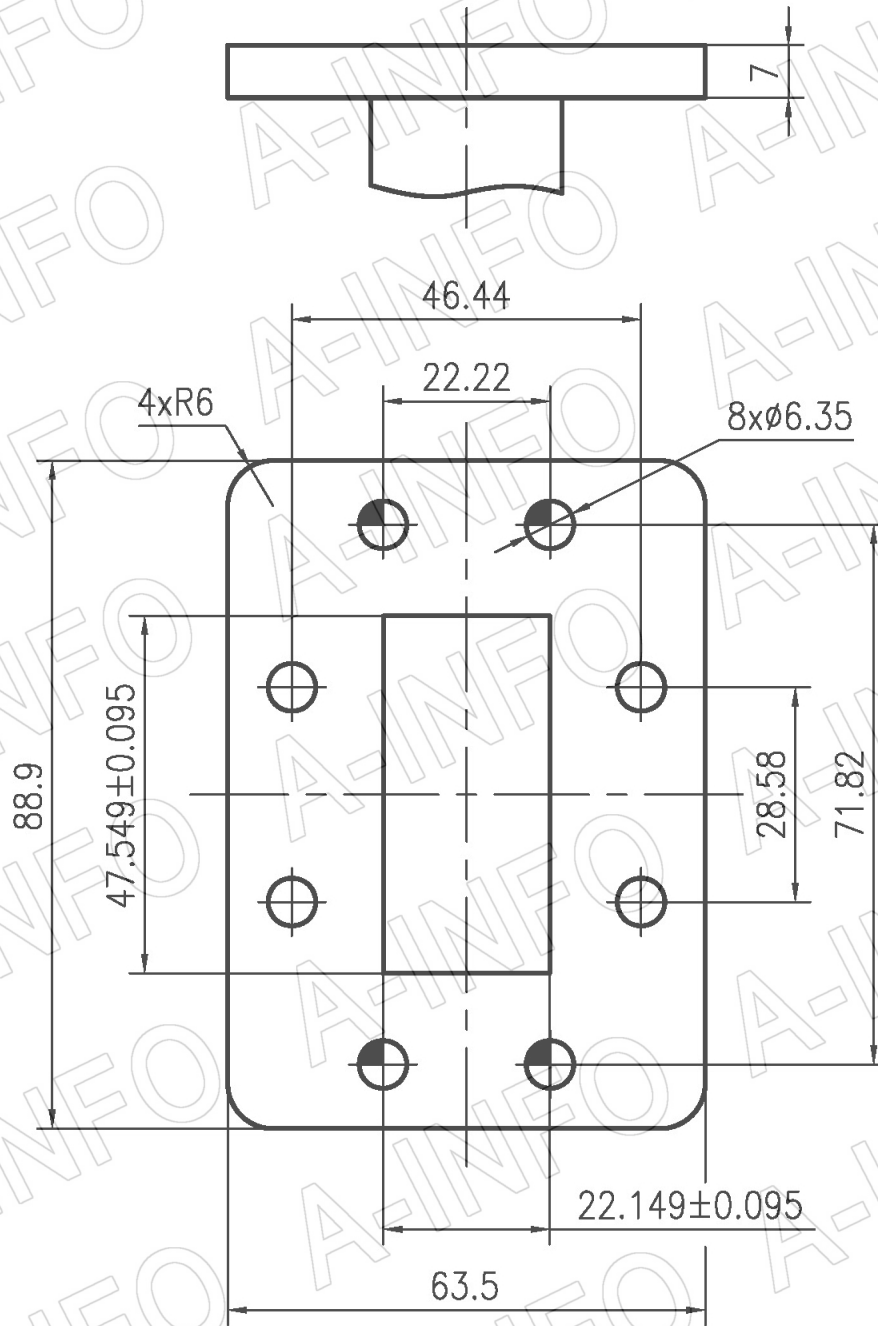


EIA WR	WR187
Freq. Range(GHz)	3.95 – 5.85
Thickness(mm)	7
Flange	FDP48(UDR48)
Material	Al
Finish	Chemical Conversion Coating
Size(mm)	88.9 x 7 x 63.5
Net Weight(Kg)	0.13 Around

## Outline Drawing (Size: mm)



## Flange Drawing (Size: mm)



# FDP48

AINFO Inc.

Page 2 of 2

China(Beijing): Tel: (+86) 10-6266-7326,  
China(Chengdu): Tel: (+86) 28-8519-2786,  
USA: Tel: (+1) 949-639-9688,

(+86) 10-6266-7327 Fax: (+86) 10-6266-7379  
(+86) 28-8519-3044 Fax: (+86) 28-8519-3068  
(+1) 949-639-9608 Fax: (+1) 949-639-9670

Website: [www.ainfoinc.com](http://www.ainfoinc.com)  
Email: [sales@ainfoinc.com](mailto:sales@ainfoinc.com)